

# HIGH PRESSURE SOLUTIONS

## CD-93 AND CD-94 INDUSTRIAL CONTROL DAMPERS

### CD-93 PARALLEL BLADE AND CD-94 OPPOSED BLADE HEAVY DUTY CONTROL DAMPERS

- Galvanized or stainless steel construction
- Optional low leakage or ultra-low leakage seals
- Up to 450° F (232°C) high temperature construction
- Custom mounting options

Our CD-93 and CD-94 industrial strength control dampers feature airfoil blades and were designed to meet the demanding high pressure air intake and exhaust systems specified for the One World Trade Center.

Where high pressure performance and positive shut-off are required, we have the solution!

**5** year  
warranty  
all products

# POTTORFF®

Visit [www.pottorff.com](http://www.pottorff.com) for more information.

# POTTORFF®

## APPLICATION:

CD-93 and CD-94 industrial control dampers employ heavy duty airfoil blades, a rugged flanged frame, and options for ultra-low leakage in high temperature air and high pressure applications that makes it ideal for high performance air intake and discharge applications where ultra-low leakage is critical.

## RATINGS:

DAMPER WIDTH	MAXIMUM SYSTEM PRESSURE	MAXIMUM SYSTEM VELOCITY	MAXIMUM SYSTEM PRESSURE	LEAKAGE WITH SEALS (cfm/ft <sup>2</sup> )*	LEAKAGE WITH ULTRA-LOW LEAKAGE SEALS (cfm/ft <sup>2</sup> )*
12" (305)	32.0 in. wg (8.0 kPa)	5000 fpm (25.4 m/s)	15.0 in. wg (3.8 kPa)	11.5 (0.06 m <sup>3</sup> /s/m <sup>2</sup> )	7.5 (0.04 m <sup>3</sup> /s/m <sup>2</sup> )
24" (610)	27.0 in. wg (6.7 kPa)	5000 fpm (25.4 m/s)	10.0 in. wg (2.5 kPa)	8.5 (0.04 m <sup>3</sup> /s/m <sup>2</sup> )	4.6 (0.02 m <sup>3</sup> /s/m <sup>2</sup> )
36" (914)	22.0 in. wg (5.5 kPa)	5000 fpm (25.4 m/s)	6.0 in. wg (1.5 kPa)	5.8 (0.03 m <sup>3</sup> /s/m <sup>2</sup> )	2.8 (0.02 m <sup>3</sup> /s/m <sup>2</sup> )
48" (1219)	17.0 in. wg (4.2 kPa)	5000 fpm (25.4 m/s)	2.0 in. wg (0.5 kPa)	4.0 (0.02 m <sup>3</sup> /s/m <sup>2</sup> )	1.5 (0.01 m <sup>3</sup> /s/m <sup>2</sup> )
60" (1524)	12.0 in. wg (3.0 kPa)	4000 fpm (20.3 m/s)			

Temperature: -25°F to 250°F (-32°C to +121°C), available up to 450°F (232°C) when required – consult with Pottorff.

\*Results based upon a 36" x 48" (914 x 1219) damper. Maximum single section width for Ultra-Low leakage seals is 48" (1219).

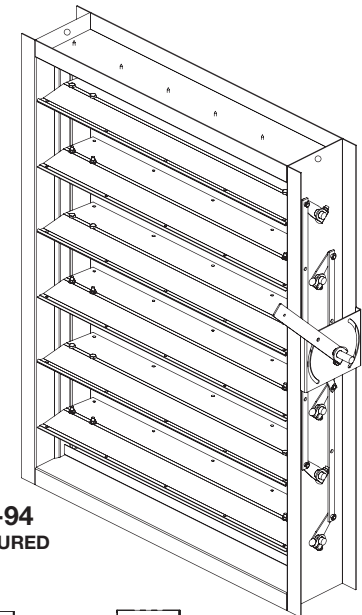
## STANDARD CONSTRUCTION:

Frame:	8" x 2" x 12 ga. (203 x 51 x 2.8) galvanized steel channel
Blades:	16 gauge (1.5) galvanized steel airfoil. Parallel model CD-93 or opposed model CD-94 action
Axles:	3/4" (19) diameter plated steel
Linkage:	3/16" x 3/4" (5 x 19) plated steel tie bars and 3/8" (10) stainless steel pins concealed in frame
Bearings:	Stainless steel pressed into frame
Control Shaft:	3/4" x 10" (19 x 254) round drive shaft with shaft support bracket and bearing mounted to damper frame with factory mounted manual locking quadrant
Lifting lugs:	7/8" (22) diameter, one on each side of jamb frame
Minimum Size:	CD-93 (one blade): 8" x 10" (203 x 254) CD-94 (two blades): 8" x 12" (203 x 305)
Maximum Size:	Single Section: 60" x 96" (1524 x 2438) Multiple Sections: Unlimited

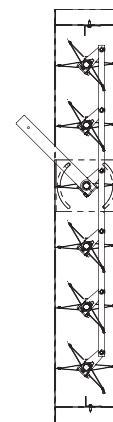
## OPTIONS:

- Factory mounted electric or pneumatic actuator
- Stainless steel construction
- Low leakage seals: Silicone blade edge seals are mechanically secured to blade and stainless steel jamb seals
- Ultra low leakage seals: Silicone blade edge seals are mechanically secured to blade and stainless steel jamb seals
- High temperature construction
- Vertical mounted blades with thrust washers
- Bolt holes in damper frame
- Outboard bearings
- Extended perimeter mounting flange

Dimensions in ( ) are metric.



**CD-94**  
PICTURED



**CD-93**  
PARALLEL



**CD-94**  
OPPOSED